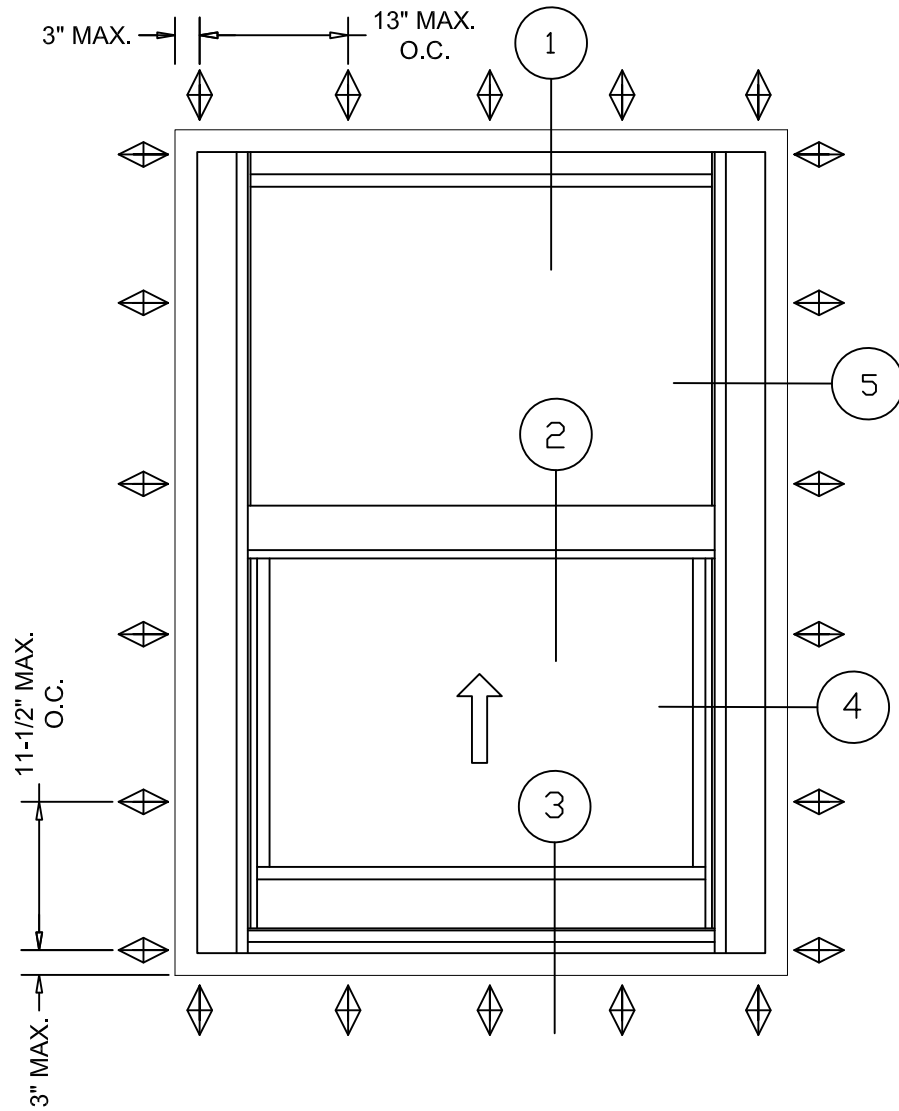


# T500 Single Hung Window



Maximum				Pressure
FW	FH	SASH-W	SASH-H	
60"	99"	57 3/8"	50 11/16"	± 50 PSF
FIXED DLD		55"	45 5/8"	
SASH DLD		53"	45 5/8"	

Minimum Glazing  
 1" Insulating Glass  
 EXT - 3/16" Annealed Glass  
 INT - 3/16" Annealed Glass

## NOTES:

1. Installations depicted satisfy the requirements of the Florida Building Code, Building 8th Edition (2023) for design wind pressures and overall sizes noted.
2. Wood bucks, wood framing and steel stud framing are by others and shall be designed by the architect or engineer of record to resist the loads imparted to them.
3. Wood bucks and wood framing are assumed S-P-F (G=0.55) or denser. Buck width shall be greater than the window frame width. Tapered or partial width buck strips are not allowed.
4. Metal stud frames are assumed to be a minimum 18 gauge 33 KSI steel.
5. Wood screws shall meet requirements of ANSI/ASME B18.6.1.
6. TEKS screws shall be ASTM A510 Grade 1018 or equivalent.
7. Maximum shim thickness 1/4".
8. Products are Non-Impact resistant and require approved protection devices if used in windborne debris regions.
9. Not for use in High Velocity Hurricane Zone (HVHZ).

## CONTENTS

Sheet 1/3	Elevation and Notes
Sheet 2/3	Vertical Sections
Sheet 3/3	Horizontal Sections

Tanya A. Dolby, P.E.  
 FL P.E. No. 93536  
 Intertek – ATI  
 130 Derry Ct. York, PA 17406  
 (717) 764-7700  
 Project: Q5273.01

Project Name: **T500 SH WINDOW**

**INSTALLATION INSTRUCTIONS**

**ELEVATIONS AND NOTES**

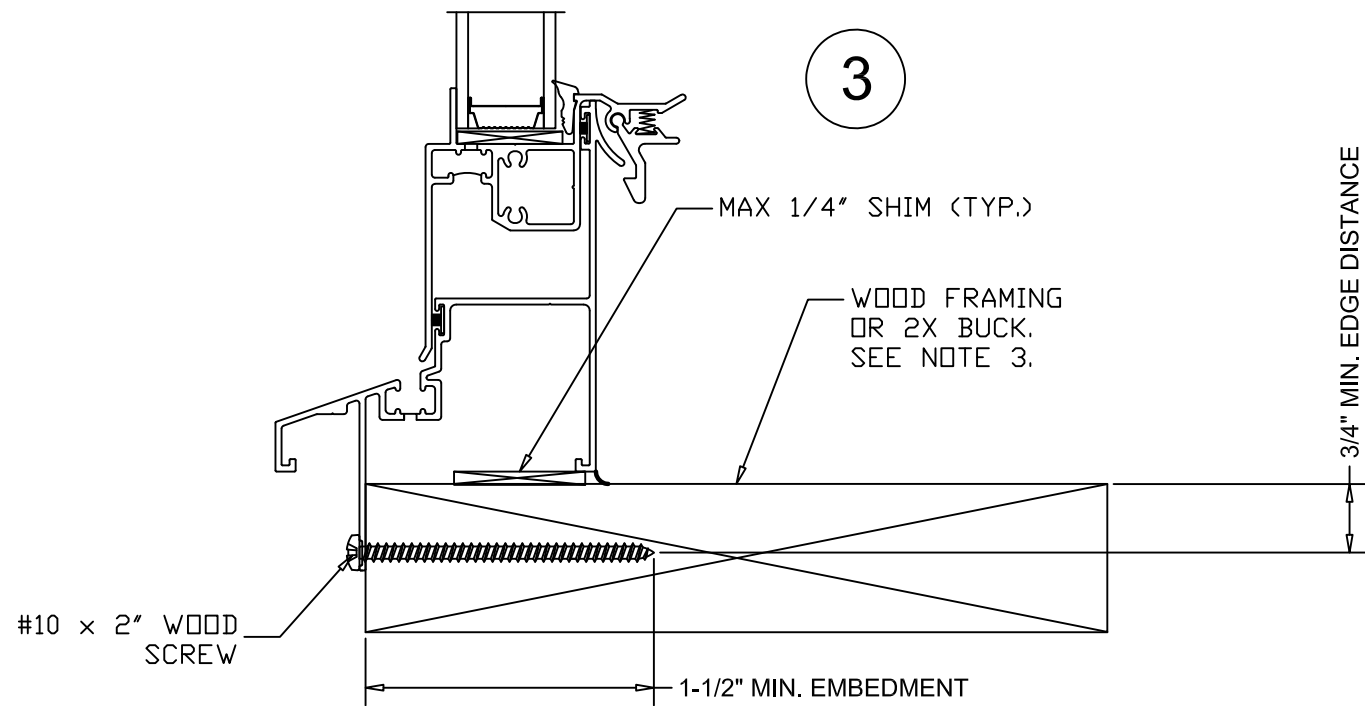
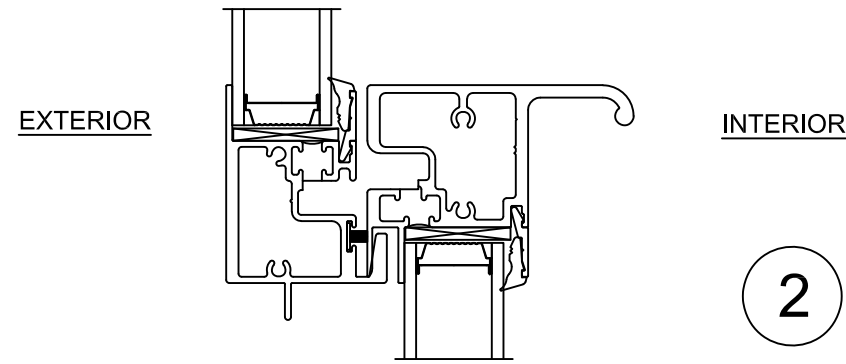
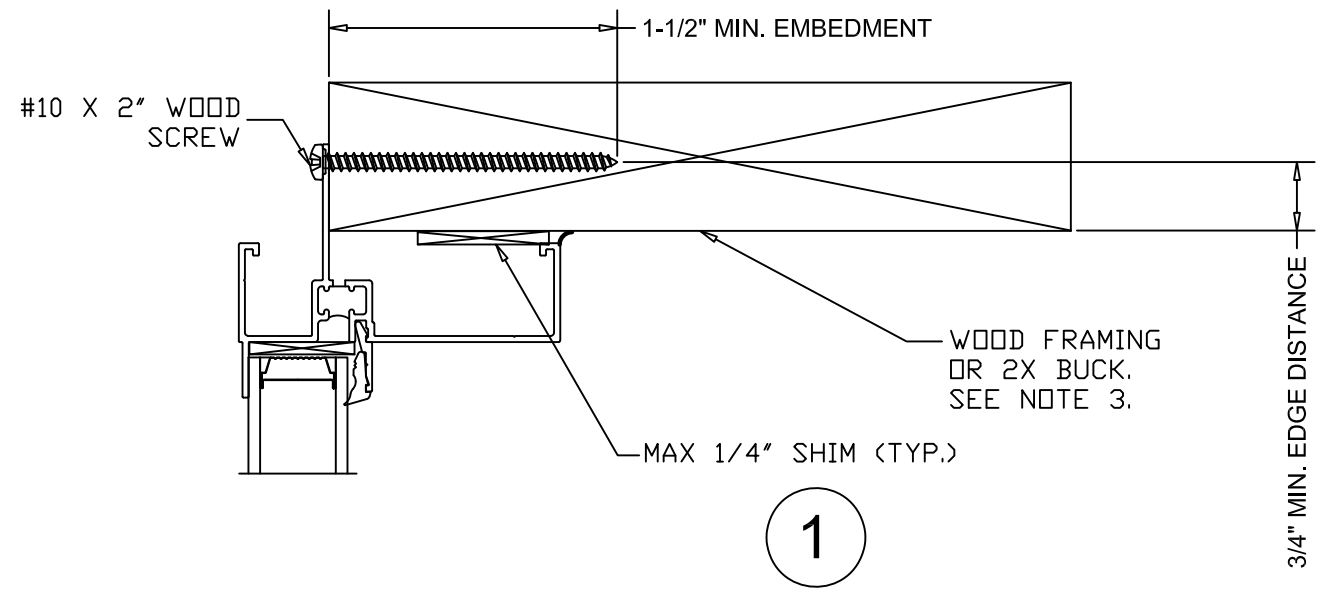
Description:  
 QUAKER WINDOW PRODUCTS WILL NOT BE RESPONSIBLE FOR FIELD MEASUREMENT, QUANTITIES, & INSTALLATION DESIGN. CONTRACTOR MUST VERIFY ALL DIMENSIONS.

PHONE (573)-744-5211  
 FAX (573)-744-5586  
 COMMERCIAL  
 www.quakerwindows.com

Scale: NONE  
 504 Highway 63 South  
 Freeburg, MO 65035  
 drafting@quakerwindows.com

Drawn By: **BUD**  
 Date: **09-06-23**

Sheet #: **1 of 3**



EXTERIOR

INTERIOR

#10-16 TEKS SCREW  
MIN 3 FULL THREAD  
PENETRATION OF STEEL

MIN. 3/4"  
EDGE DISTANCE

ALTERNATE INSTALLATION TO STEEL STUDS

MAX 1/4" SHIM (TYP.)

MIN. 18 GAUGE STEEL  
STUD  
SEE NOTE 4.

Project Name:

VERTICAL SECTIONS

QUAKER WINDOW PRODUCTS  
WILL NOT BE RESPONSIBLE  
FOR FIELD MEASUREMENT,  
QUANTITIES, & INSTALLATION  
DESIGN. CONTRACTOR MUST  
VERIFY ALL DIMENSIONS.

PHONE (573)-744-5211  
FAX (573)-744-5586

COMMERCIAL  
FAX (573)-744-5822  
www.quakerwindows.com

Scale: NONE  
504 Highway 63 South  
Freeburg, MO 65035  
drafting@quakerwindows.com

QUAKER  
COMMERCIAL WINDOW AND DOOR

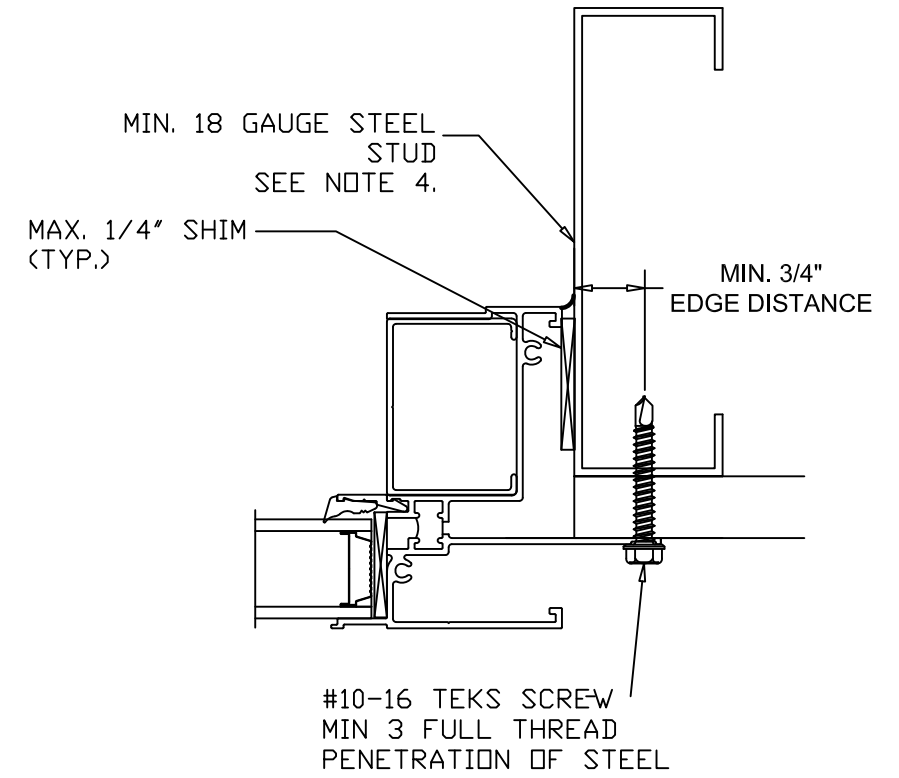
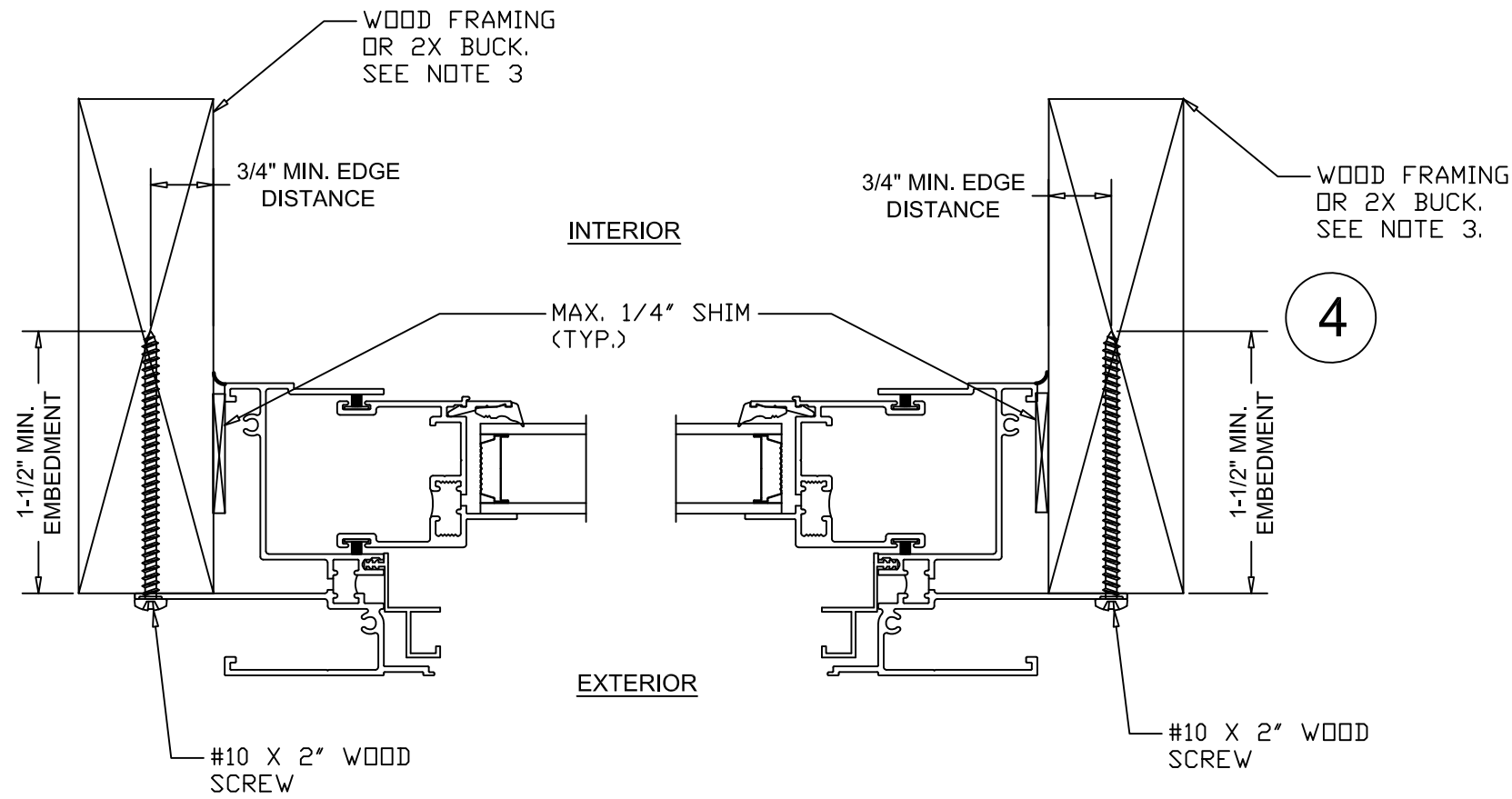
Drawn By: BUD  
Date: 09-06-23

Sheet #: 2 of 3

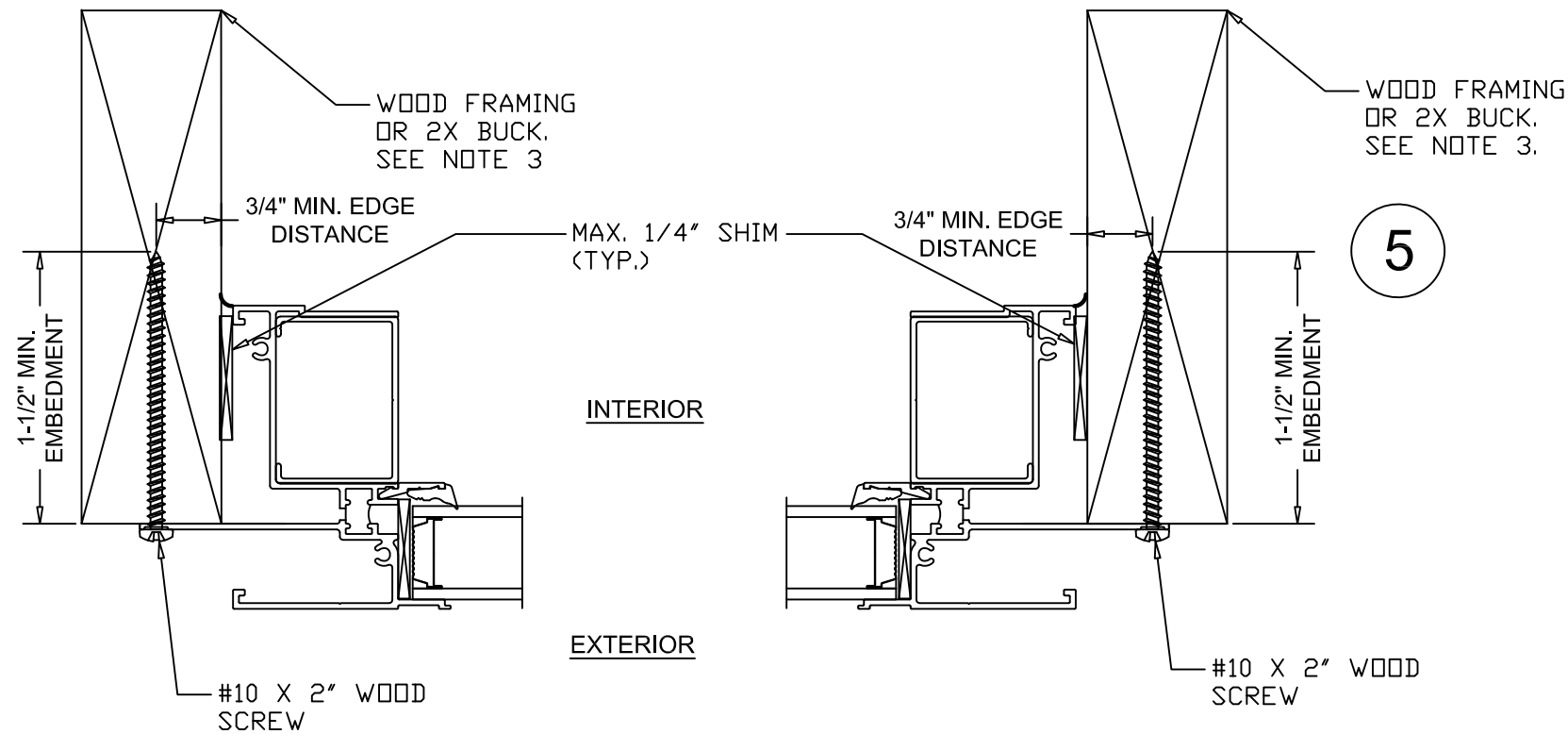
Tanya A. Dolby, P.E.  
FL P.E. No. 93536  
Intertek - ATI  
130 Derry Ct. York, PA 17406  
(717) 764-7700  
Project: Q5273.01

T500 SH WINDOW

INSTALLATION INSTRUCTIONS



ALTERNATE INSTALLATION TO STEEL STUDS



Project Name:

**HORIZONTAL SECTIONS**

QUAKER WINDOW PRODUCTS WILL NOT BE RESPONSIBLE FOR FIELD MEASUREMENT, QUANTITIES, & INSTALLATION DESIGN. CONTRACTOR MUST VERIFY ALL DIMENSIONS.

PHONE (573)-744-5211

FAX (573)-744-5586

COMMERCIAL

FAX (573)-744-5822

www.quakerwindows.com

Scale: NONE

Sheet #: 3 of 3

504 Highway 63 South  
Freeburg, MO 65035  
drafting@quakerwindows.com

Drawn By: BUD  
Date: 09-06-23

Tanya A. Dolby, P.E.  
FL P.E. No. 93536  
Intertek - ATI  
130 Derry Ct. York, PA 17406  
(717) 764-7700  
Project: Q5273.01

**T500 SH WINDOW  
INSTALLATION INSTRUCTIONS**